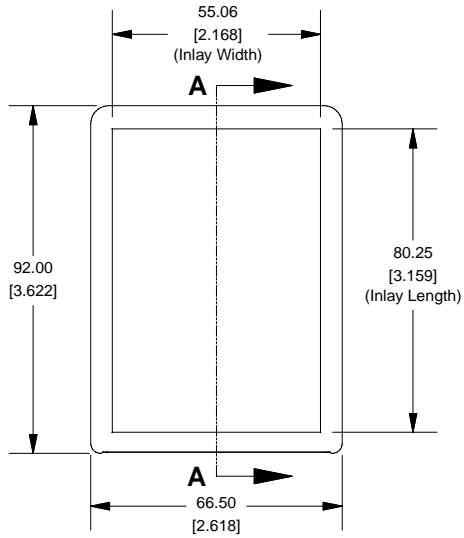
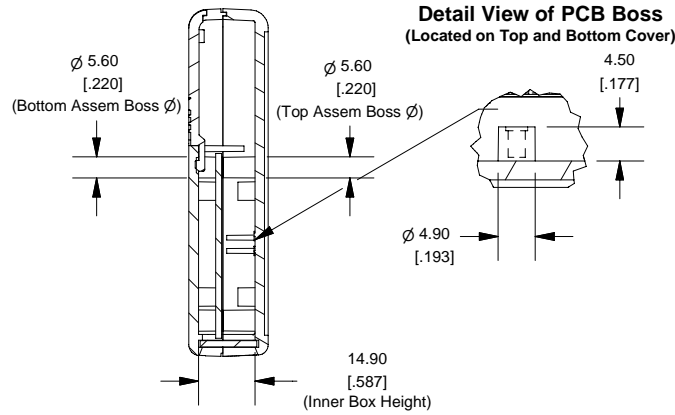


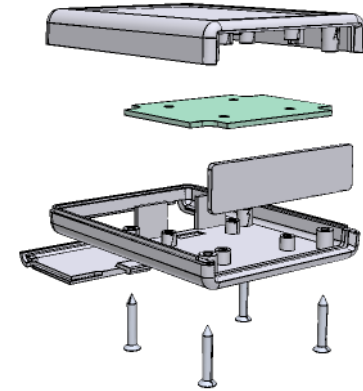
Top View of Assembly



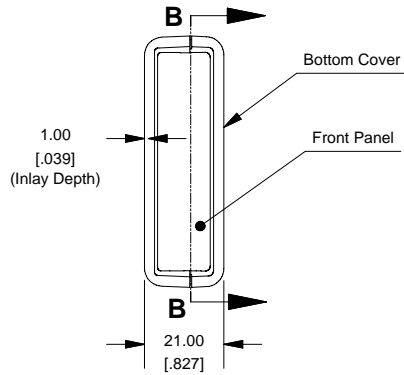
SECTION A-A (Side View Inside Assembly)



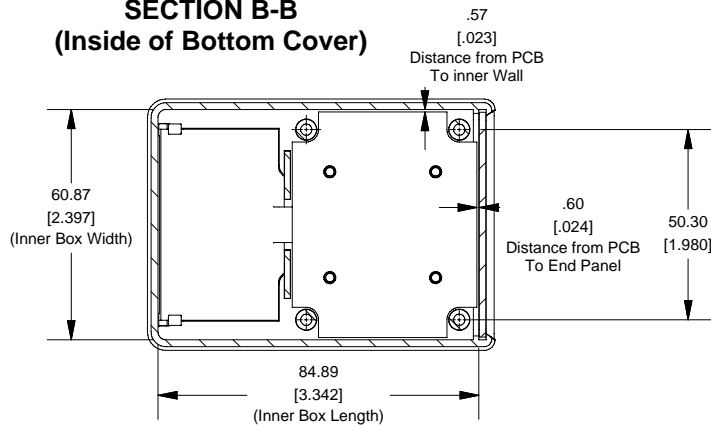
Hand Held Instrument (1593S)



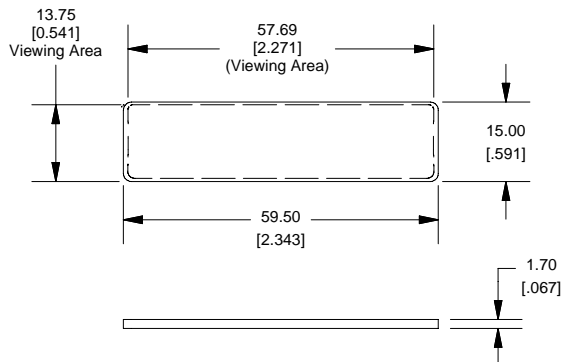
End View of Assembly



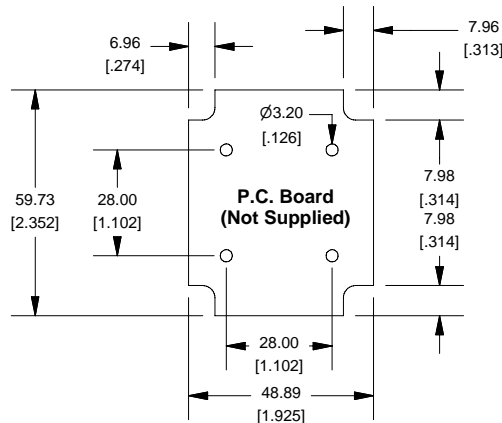
SECTION B-B (Inside of Bottom Cover)



Front/Rear Panel (Dashed Line Indicates Viewing Area)



Maximum P.C. Board Size



Enclosures can be Factory Modified (Milling, Drilling, Printing etc.)
Solid models of this enclosure available in STEP or IGES.
Contact Factory mjm@hammondmfg.com

NOTE	
Enclosure molded from GP ABS (UL94-HB) plastic.	
Purchased assembly includes top and bottom cover, front panel (plastic), battery door and 4 cover screws.	

PART NUMBERS	
1593S Enclosure	
Black Enclosure	1593SBK
Grey Enclosure	1593SGY
ACCESSORIES	
Cover Screws (Pkg 100)	1593MS100 (Silver)
[#4 x 5/8" self-tapping oval head (15.9mm)]	1593MS100BK (Black)
P.C. Board Screws	1593ATS50 (Pkg 50)
[#4 x 1/4" self-tapping (6.4mm)]	1593ATS100 (Pkg 100)
Belt or Pocket Clip	1599CLIP (Black)
	1599CLIPGY (Grey)
Infrared Panels (Pkg 10)	1593DIR10

HAMMOND MANUFACTURING™

1593S

www.hammondmfg.com